



NUREG/CR-6190-V2-R1

NTIS
Information is our business.

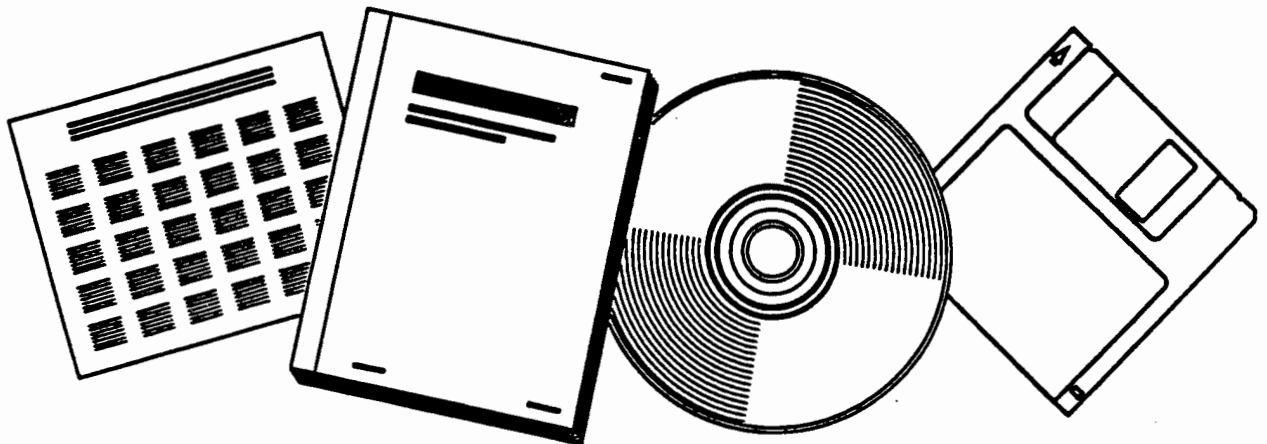
PROTECTION AGAINST MALEVOLENT USE OF VEHICLES AT NUCLEAR POWER PLANTS: VEHICLE BARRIER SYSTEM SELECTION GUIDANCE

19970623 130

DTIC QUALITY INSPECTED 4

(U.S.) CORPS OF ENGINEERS, OMAHA, NE

DEC 94



U.S. DEPARTMENT OF COMMERCE
National Technical Information Service

DISTRIBUTION STATEMENT A

Approved for public release;
Distribution Unlimited.

NUREG/CR-6190
Vol. 2, Rev. 1

Protection Against Malevolent Use of Vehicles at Nuclear Power Plants

Vehicle Barrier System Selection Guidance

Prepared by
D. T. Nebuda

U.S. Army Corps of Engineers

Prepared for
U.S. Nuclear Regulatory Commission

AVAILABILITY NOTICE

Availability of Reference Materials Cited in NRC Publications

Most documents cited in NRC publications will be available from one of the following sources:

1. The NRC Public Document Room, 2120 L Street, NW., Lower Level, Washington, DC 20555-0001
2. The Superintendent of Documents, U.S. Government Printing Office, P. O. Box 37082, Washington, DC 20402-9328
3. The National Technical Information Service, Springfield, VA 22161-0002

Although the listing that follows represents the majority of documents cited in NRC publications, it is not intended to be exhaustive.

Referenced documents available for inspection and copying for a fee from the NRC Public Document Room include NRC correspondence and internal NRC memoranda; NRC bulletins, circulars, information notices, inspection and investigation notices; licensee event reports; vendor reports and correspondence; Commission papers; and applicant and licensee documents and correspondence.

The following documents in the NUREG series are available for purchase from the Government Printing Office: formal NRC staff and contractor reports, NRC-sponsored conference proceedings, international agreement reports, grantee reports, and NRC booklets and brochures. Also available are regulatory guides, NRC regulations in the *Code of Federal Regulations*, and *Nuclear Regulatory Commission Issuances*.

Documents available from the National Technical Information Service include NUREG-series reports and technical reports prepared by other Federal agencies and reports prepared by the Atomic Energy Commission, forerunner agency to the Nuclear Regulatory Commission.

Documents available from public and special technical libraries include all open literature items, such as books, journal articles, and transactions. *Federal Register* notices, Federal and State legislation, and congressional reports can usually be obtained from these libraries.

Documents such as theses, dissertations, foreign reports and translations, and non-NRC conference proceedings are available for purchase from the organization sponsoring the publication cited.

Single copies of NRC draft reports are available free, to the extent of supply, upon written request to the Office of Administration, Distribution and Mail Services Section, U.S. Nuclear Regulatory Commission, Washington, DC 20555-0001.

Copies of industry codes and standards used in a substantive manner in the NRC regulatory process are maintained at the NRC Library, Two White Flint North, 11545 Rockville Pike, Rockville, MD 20852-2738, for use by the public. Codes and standards are usually copyrighted and may be purchased from the originating organization or, if they are American National Standards, from the American National Standards Institute, 1430 Broadway, New York, NY 10018-3308.

DISCLAIMER NOTICE

This report was prepared as an account of work sponsored by an agency of the United States Government. Neither the United States Government nor any agency thereof, or any of their employees, makes any warranty, expressed or implied, or assumes any legal liability of responsibility for any third party's use, or the results of such use, of any information, apparatus, product or process disclosed in this report, or represents that its use by such third party would not infringe privately owned rights. The contents of this report are not to be used for advertising, publication, or promotional purposes. Citation of trade names does not constitute an official endorsement or approval of the use of such commercial products.



UNITED STATES
NUCLEAR REGULATORY COMMISSION
Washington, D.C. 20555-0001

March 1997

ERRATA

Report Number: NUREG/CR-6190, Vol. 2, Rev. 1

Report Title: Protection Against Malevolent Use of Vehicles at Nuclear Power Plants: Vehicle Barrier System Selection Guidance

Prepared by: U.S. Army of Corps of Engineers

Date Published: December 1994

Instructions: In Section 4, insert the following paragraph at the end of Section 4.2.4, "Jersey Barriers":

Jersey barriers were designed to redirect vehicular traffic from non-head-on collisions, not to act as physical barriers to determined assault. Therefore, some penetration of the jersey barrier by the design basis vehicle (DBV) may occur when the DBV contacts the barrier head-on. To ensure the appropriate standoff distance is maintained, an additional 20 feet should be added to the calculated standoff distance in all zones where jersey barriers are used as the vehicle barrier.

Publications Branch
Office of Information Resources Management

0060146

**UNITED STATES
NUCLEAR REGULATORY COMMISSION
WASHINGTON, D.C. 20555-0001**

**OFFICIAL BUSINESS
PENALTY FOR PRIVATE USE, \$300**

**FIRST CLASS MAIL
POSTAGE AND FEES PAID
USNRC
PERMIT NO. G-67**

Protection Against Malevolent Use of Vehicles at Nuclear Power Plants

Vehicle Barrier System Selection Guidance

Manuscript Completed: November 1994
Date Published: December 1994

Prepared by
D. T. Nebuda

U.S. Army Corps of Engineers, Omaha District
Protective Design-Mandatory Center of Expertise
215 North 17th Street
Omaha, NE 68102-4978

Prepared for
Division of Technical Support
Office of Nuclear Reactor Regulation
U.S. Nuclear Regulatory Commission
Washington, DC 20555-0001
NRC Job Code A0400

ABSTRACT

This manual provides a simplified procedure for selecting land vehicle barriers that will stop the design basis vehicle threat adopted by the U.S. Nuclear Regulatory Commission. Proper selection and construction of vehicle barriers should prevent intrusion of the design basis vehicle. In addition, vital safety related equipment should survive a design basis vehicle bomb attack when vehicle barriers are properly selected, sited, and constructed. This manual addresses passive vehicle barriers, active vehicle barriers, and site design features that can be used to reduce vehicle impact velocity.

Contents

Section	Page
1 Introduction	1
1.1 Purpose	1
1.2 Scope	1
1.3 Organization	1
2 Vehicle Barrier Systems (VBS)	2
2.1 Purpose	2
2.2 System Objective	2
2.3 Description	2
2.4 Barrier Crash Rating	2
3 Design Basis	3
3.1 Purpose	3
3.2 Definition	3
3.3 Design Basis	3
3.4 Protective Measures Implementation	3
4 Passive Vehicle Barriers	4
4.1 Purpose	4
4.2 Passive Vehicle Barriers	4
5 Active Vehicle Barrier Ratings	15
5.1 Purpose	15
5.2 Active Vehicle Barriers	15
6 Velocity Reduction Measures	18
6.1 Purpose	18
6.2 Determining Reduced Vehicle Velocity	18
6.3 Determining Kinetic Energy	29
6.4 Barrier Selection	29

Contents (Cont'd)

Section	Page
7 Other Vehicle Barriers	30
8 Documentation	31
9 Conclusions	32

Figures

4.1 Minimum Construction Requirements for Concrete Planters	8
4.2 Minimum Construction Requirements for Jersey Barriers	9
4.3 Minimum Construction Requirements for Bollards	10
4.4 Chain-Link Fence With Cables	11
4.5 Deadman Detail	12
4.6 Intersect of Two Cable Runs Detail	13
4.7 Corner or End Post Detail	14
6.1 Vehicle Velocity on Curves	19
6.2 Vehicle Velocity from Dead Start	20
6.3 Perimeter Barriers Used as Traffic Obstacles	21
6.4 Application of Traffic Obstacles	22
6.5 Obstacle Spacing vs. Vehicle Velocity	23
6.6 Example - Vehicle Velocity on Curves	25
6.7 Example - Vehicle Velocity from Dead Start	26
6.8 Example - Vehicle Velocity With Initial Velocity	27
6.9 Example - Obstacle Spacing vs. Vehicle Velocity	28

Tables

4.1 Concrete Planter Ratings	5
4.2 Jersey Barrier Ratings	5
4.3 Bollard Ratings	6
4.4 Cabled Barrier Ratings	7
5.1 Results of Active Vehicle Barrier Tests	15

SECTION 1 - INTRODUCTION

1.1 Purpose

This manual provides a simplified procedure that may be used to select vehicle barriers to prevent intrusion by the design basis vehicle threat adopted by the U.S. Nuclear Regulatory Commission. The procedure presented can be used to determine the adequacy of existing vehicle barriers or it can be used for the planning of new vehicle barriers. The user of this manual should either have a background in civil engineering or should consult a civil engineer when using the manual.

1.2 Scope

This manual presents guidance for vehicle barriers with known crash ratings. The procedure presented is an accepted way of demonstrating conformance; however, it is not exclusive. Other procedures based on sound scientific and engineering principles are also acceptable. Barriers not discussed are not disallowed and means of demonstrating conformance for these barriers are discussed.

1.3 Organization

The procedure for controlling vehicle intrusion is organized into the sections listed below.

<u>Section</u>	<u>Topic</u>
2	Vehicle Barrier Systems
3	Design Basis
4	Passive Vehicle Barriers
5	Active Vehicle Barrier Ratings
6	Velocity Reduction Measures
7	Other Vehicle Barriers
8	Documentation
9	Conclusions

SECTION 2 - VEHICLE BARRIER SYSTEMS (VBS)

2.1 Purpose

This section gives the user a basic knowledge of the components of a VBS and the methods by which these components are rated for intrusion resistance.

2.2 System Objective

The purpose of a VBS is to prevent intrusion of vehicles into an area. The VBS must be capable of resisting vehicle impact and providing continuous protection in all areas where approach by land vehicle is possible. Additionally, VBS are sited to provide sufficient standoff distance from vital area barriers and vital safety related equipment to minimize damage that could be caused by a vehicle bomb. Additional standoff distance may be required for some vehicle barriers depending on their performance characteristics. This additional standoff distance required is cited in this manual where applicable. Refer to Volume 1 of this NUREG for further information on standoff distance.

2.3 Description

A VBS consists of two components--passive vehicle barriers and active vehicle barriers. These components enclose the standoff zone. Passive vehicle barriers are placed along the perimeter of the standoff zone where approach by land vehicle is possible except at points through which vehicle access is allowed. These barriers have no moving parts and are in a

continuous "ready" position. Active vehicle barriers are used at points in the perimeter of a standoff zone through which vehicle access is allowed. These barriers are maintained in an active position and must be deactivated by authorized personnel to permit authorized vehicle access. At points that require infrequent vehicle access, removable passive barriers are sometimes used. Where active barriers are used, care must be taken to provide a consistent level of protection where the passive and active barriers interface. The VBS must not be vulnerable to unauthorized entry when an active vehicle barrier is allowing an authorized vehicle access. Both passive and active barriers are described in subsequent sections.

2.4 Barrier Crash Rating

For the purposes of this manual, vehicle barriers are rated based on the kinetic energy resisted. The kinetic energy resistance measures the capacity of a barrier to stop a vehicle of a particular gross weight at a given velocity. This capacity is measured in kinetic energy according to equation 2-1.

$$KE = 0.03344xWxV^2 \quad (\text{Eq. 2-1})$$

KE = kinetic energy (foot-pounds)

W = vehicle weight (pounds)

V = vehicle velocity (miles per hour)

The barrier rating is typically determined through crash testing of full-scale barriers but may also be determined through detailed structural analysis.

SECTION 3 - DESIGN BASIS

3.1 Purpose

This section defines the design basis threat and protection criteria that a vehicle barrier system (VBS) must resist.

3.2 Definition

The design threat that a VBS has to stop is a specified gross vehicle weight and impact velocity. These two parameters allow calculation of the kinetic energy that the VBS must resist.

3.3 Design Basis

The maximum parameters of the design basis vehicle threat and protection criteria have been provided to affected Nuclear Regulatory Commission (NRC) licensees in a separate document. The kinetic energy associated with the gross vehicle weight and maximum velocity, KE_{max} , is the maximum kinetic energy that any VBS need resist. All this information has been determined by the NRC to be Safeguards Information, and it should be handled accordingly.

3.4 Protective Measures Implementation

If site conditions do not provide for velocity reduction, the maximum velocity should be used in calculating the VBS requirements. If it can be demonstrated that site conditions prevent vehicles from attaining the maximum velocity at a point or points along the VBS perimeter, a lesser velocity can be used in calculating the VBS requirements for that point or points. Examples of site conditions that can reduce vehicle velocity include curved approach roads, inclines, ditches, and berms. Section 6 contains information on velocity reduction. The kinetic energy associated with the lesser velocity is calculated using equation 2-1. No vehicle barriers are needed in areas of the VBS perimeter that cannot be approached by land vehicle due to site topography. The velocity that is used to determine VBS requirements and the associated kinetic energy have been determined by the Nuclear Regulatory Commission to be Safeguards Information, and they should be handled accordingly.

SECTION 4 - PASSIVE VEHICLE BARRIERS

4.1 Purpose

This section provides information from an existing database of passive vehicle barriers. Passive vehicle barrier ratings as well as construction details are contained in this section. If passive vehicle barriers other than those cited are used, or proposed for use, refer to section 7.

4.2 Passive Vehicle Barriers

Information on concrete planters, Jersey barriers, bollards, and cable barriers is presented below. The information on these types of passive vehicle barrier systems includes typical construction details and kinetic energy ratings. If passive vehicle barriers are properly installed, have foundation designs consistent with local site conditions, and have kinetic energy ratings equal to or greater than KE_{max} , no additional site features to reduce velocity are required. The use of passive vehicle barriers with kinetic energy rating less than KE_{max} requires the user to provide positive means for velocity reduction as discussed in section 6.

4.2.1 Basis of Ratings

The barrier ratings presented are based on analytical modeling using the computer program BIRM (Barrier Impact Response Model) and other methods. Information on BIRM is contained in U.S. Army Corps of Engineers Protective Design - Mandatory Center of Expertise Technical Report PDC-TR 90-2, *BIRM -- A Vehicle Barrier Response Model Using BARRIER VII*.

4.2.2 Foundations

Barriers must be properly installed and must have foundation designs consistent with local site conditions. Ratings for different soil conditions are provided for Jersey barriers and bollards. Sandy loam, saturated clay, and stiff clay are described in geotechnical engineering and soil mechanics manuals. Base material is a double crushed, well-graded aggregate mixed with a binder material and compacted. This material is commonly used in highway and building foundation construction and is a suitable material for subgrade preparation. Soil type is not a major parameter for planters and cable reinforced fence. For concrete and base material foundation types, the material must be at least 4 inches thick. For the other foundation types, the material must be at least 18 inches thick.

4.2.3 Concrete Planters

Table 4.1 contains kinetic energy ratings for concrete planters in anchored and unanchored foundation conditions. Figure 4.1 contains typical construction details for concrete planters. To be considered anchored, the planter must be embedded at least 1 foot, 6 inches into the foundation material, as illustrated in figure 4.1. Planters not meeting this embedment criteria should be considered unanchored. There shall be no gaps greater than 3 feet between planters.

4.2.4 Jersey Barriers

Table 4.2 contains kinetic energy ratings for Jersey barriers in various foundation conditions. Figure 4.2 contains typical construction details for Jersey barriers. To be considered anchored, the barriers must be secured to the foundation at no greater than every 4 feet along the barrier

with 1-inch diameter by 3-foot-long steel pins, alternating from side to side. Jersey barriers not meeting this criteria should be considered unanchored. The pins must be either grouted into the barrier or connected with a mechanical fastener. There shall be no gaps between Jersey barriers greater than 3 feet.

4.2.5 Bollards

Table 4.3 contains kinetic energy ratings for bollards in various foundation conditions. Figure 4.3 contains typical construction details for bollards.

4.2.6 Cable Barriers

Table 4.4 contains kinetic energy ratings for cable barriers with various numbers and diameters of extra improved plow steel cables with various anchorage spacing. Also included in Table 4.4 are additional standoff requirements due to the performance characteristics of this type of vehicle barrier to provide adequate blast protection. A cable barrier may be used in conjunction with a security fence or may be free-standing. For either instance the cables must be kept at a height of 32 to 36 inches above the ground and have proper anchorage that will develop at least the nominal breaking strength of the cable. Figures 4.4 through 4.7 contain typical details for cable used in conjunction with a fence.

Table 4.1 Concrete planter ratings

Foundation	Kinetic Energy Rating (ft-lb x 1000)
Anchored	$\geq KE_{max}$
Unanchored on Concrete	94

Table 4.2 Jersey barrier ratings

Foundation	Kinetic Energy Rating (ft-lb x 1000)
Concrete	$\geq KE_{max}$
Base Material	$\geq KE_{max}$
Stiff Clay	$\geq KE_{max}$
Saturated Clay	205
Sandy Loam	268
Unanchored on Concrete	24

Table 4.3 Bollard ratings

Foundation	Kinetic Energy Rating (ft-lb x 1000)
2 Feet on Center	
Concrete	$\geq KE_{max}$
Base Material	$\geq KE_{max}$
Stiff Clay	$\geq KE_{max}$
Saturated Clay	$\geq KE_{max}$
Sandy Loam	$\geq KE_{max}$
3 Feet on Center	
Concrete	$\geq KE_{max}$
Base Material	$\geq KE_{max}$
Stiff Clay	$\geq KE_{max}$
Saturated Clay	268
Sandy Loam	205
4 Feet on Center	
Concrete	$\geq KE_{max}$
Base Material	$\geq KE_{max}$
Stiff Clay	205
Saturated Clay	205
Sandy Loam	205

Table 4.4 Cable barrier ratings

Anchorage Spacing (ft)	Cable ⁽¹⁾ Diameter	Number of Cables	Kinetic Energy Rating (ft-lb x 1000)	Additional Standoff Required (ft)
200	1 inch	4	$\geq KE_{max}$	30
		3	$\geq KE_{max}$	35
		2	340	40
		1	150	35
200	3/4 inch	4	$\geq KE_{max}$	40
		3	340	40
		2	200	40
		1	100	40
100	1 inch	4	340	20
		3	270	20
		2	150	20
		1	70	20
100	3/4 inch	4	200	20
		3	150	20
		2	100	20
		1	40	15
50	1 inch	4	150	10
		3	100	10
		2	70	10
		1	40	10
50	3/4 inch	4	100	10
		3	70	10
		2	40	10
		1	20	10

(1) The minimum nominal strength should be 51,600 lbs for 3/4-inch cable and 93,000 lbs for 1-inch cable.

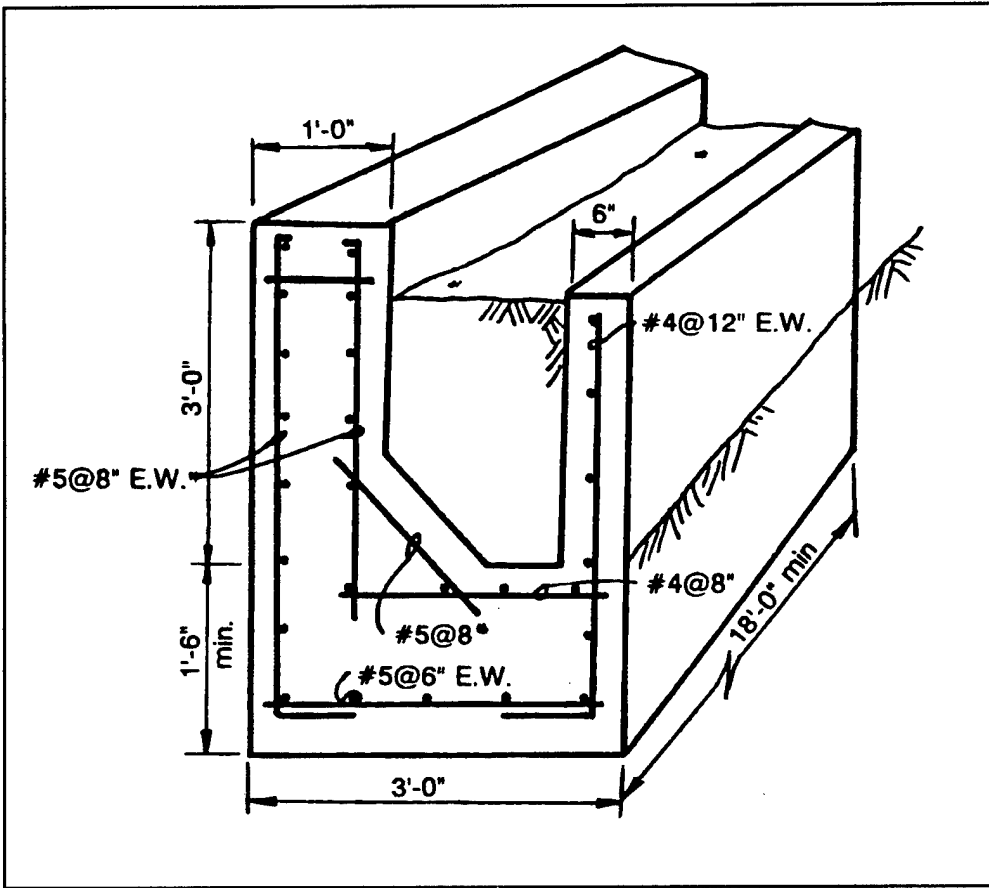


Figure 4.1 Minimum construction requirements for concrete planters

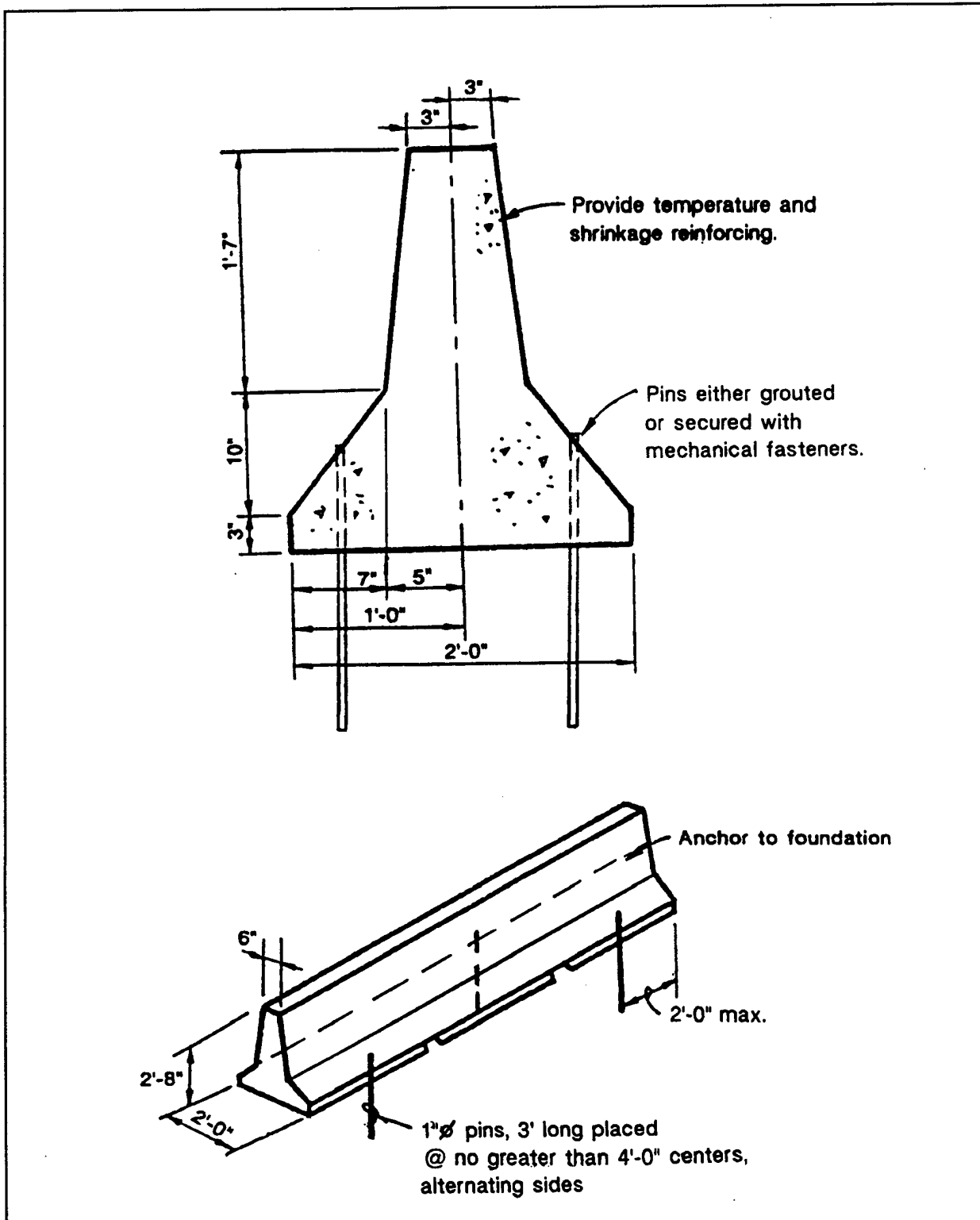


Figure 4.2 Minimum construction requirements for Jersey barriers

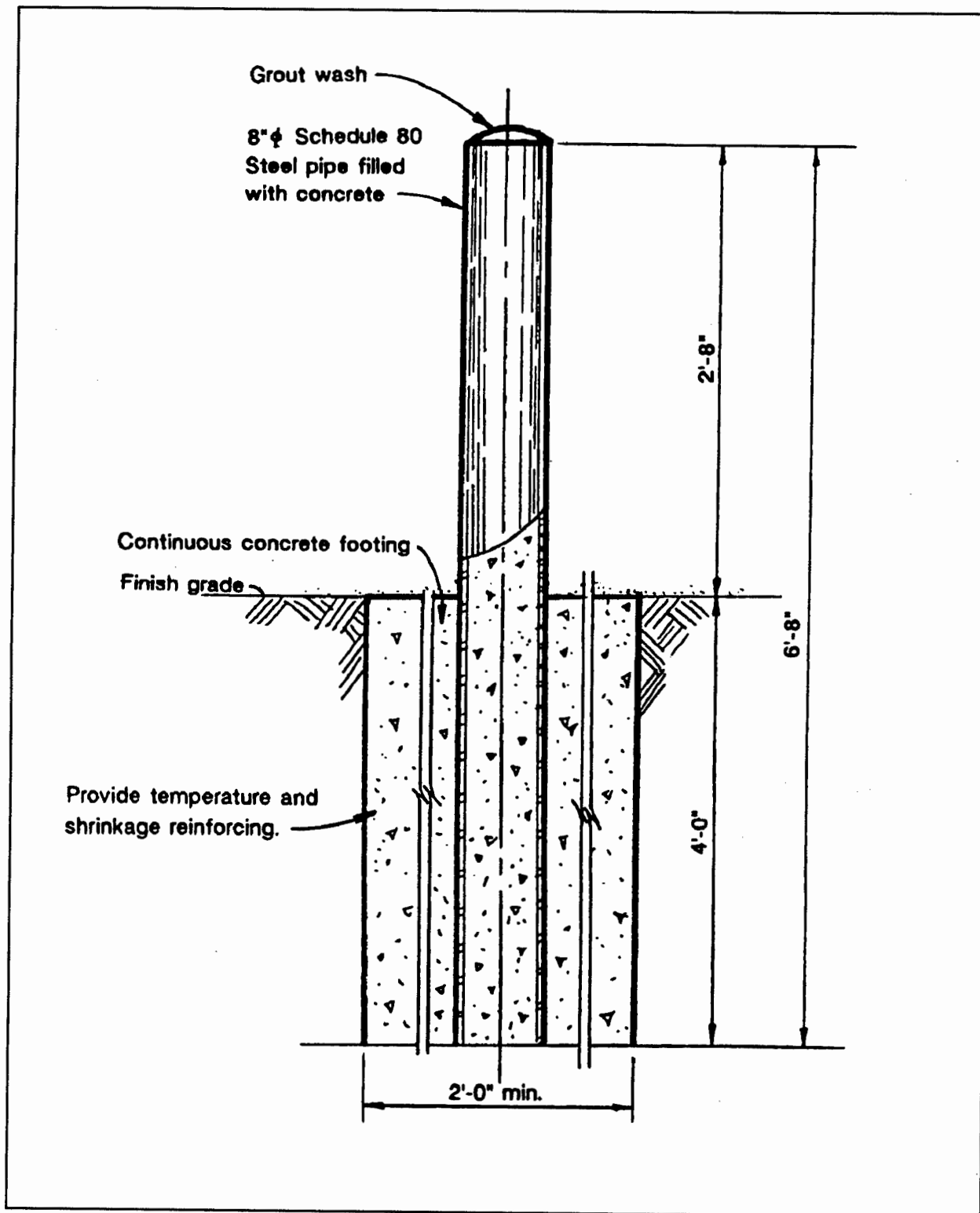


Figure 4.3 Minimum construction requirements for bollards

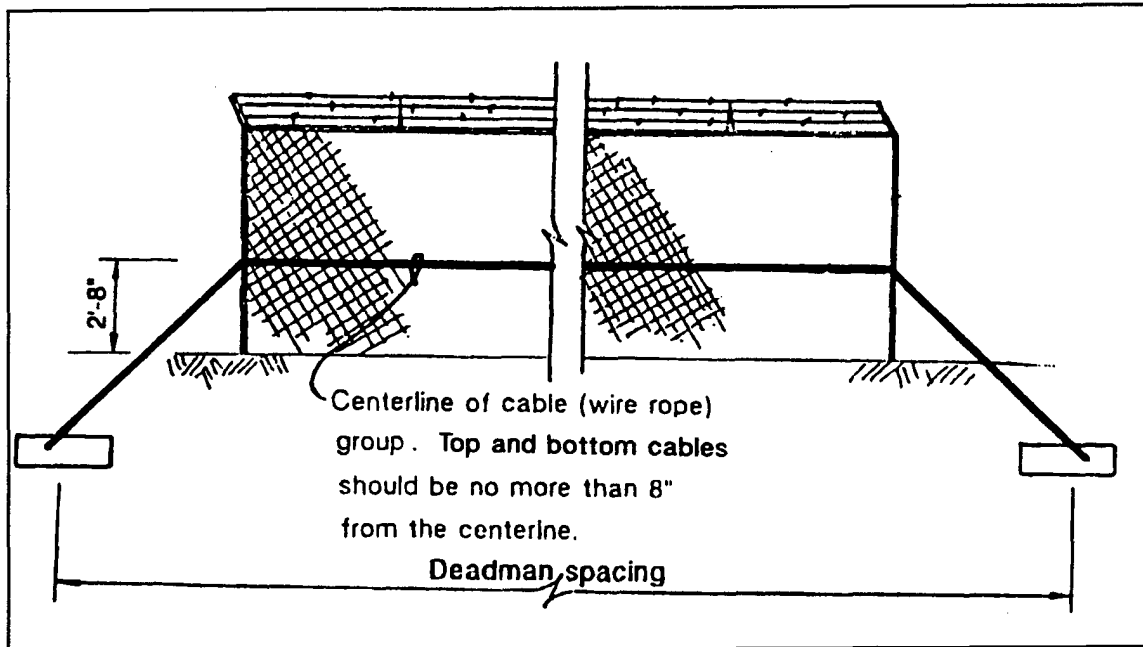


Figure 4.4 Chain-link fence with cables

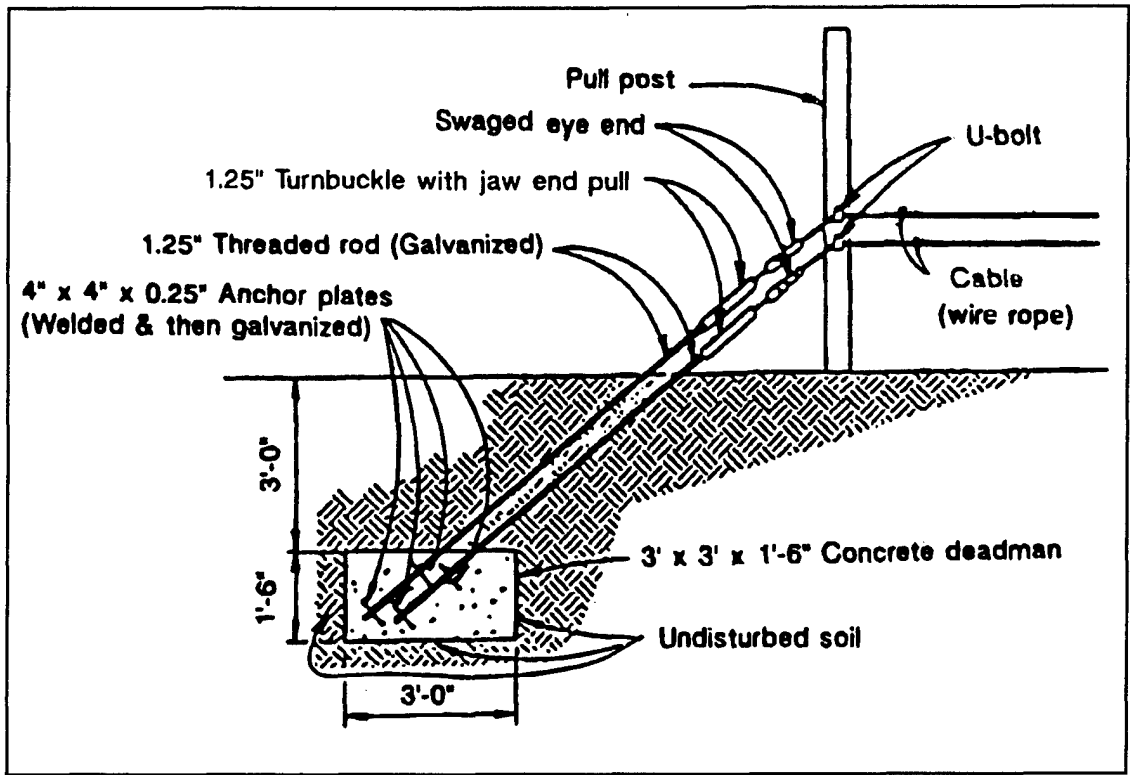


Figure 4.5 Deadman detail

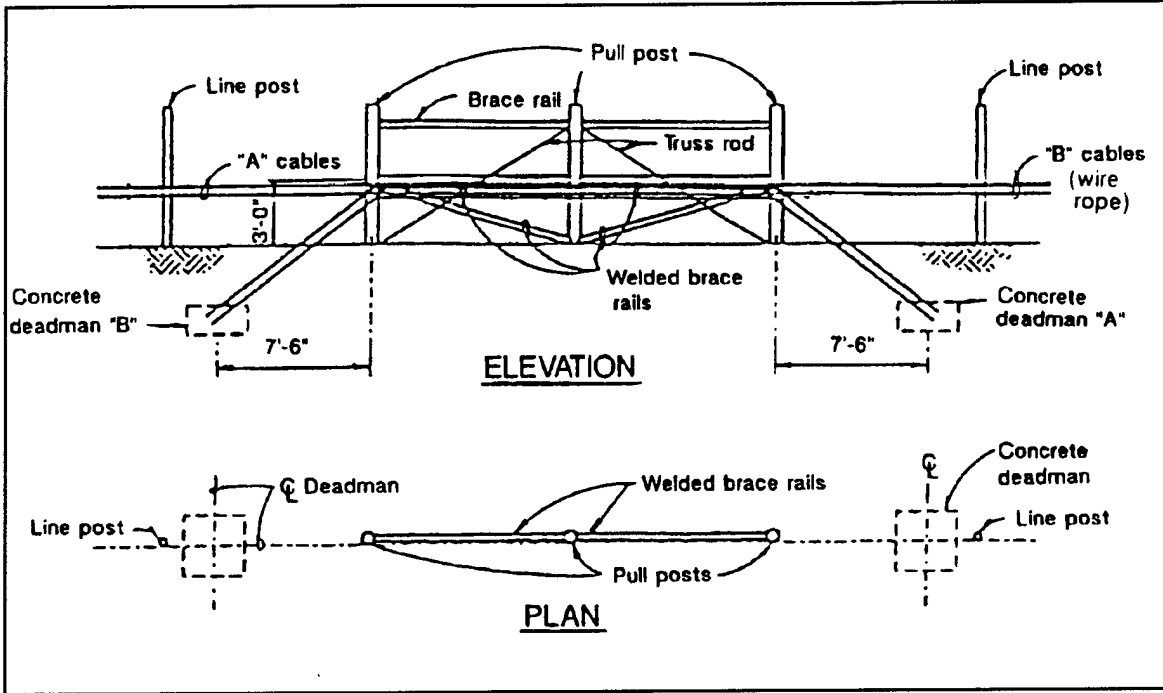


Figure 4.6 Intersect of two cable runs detail

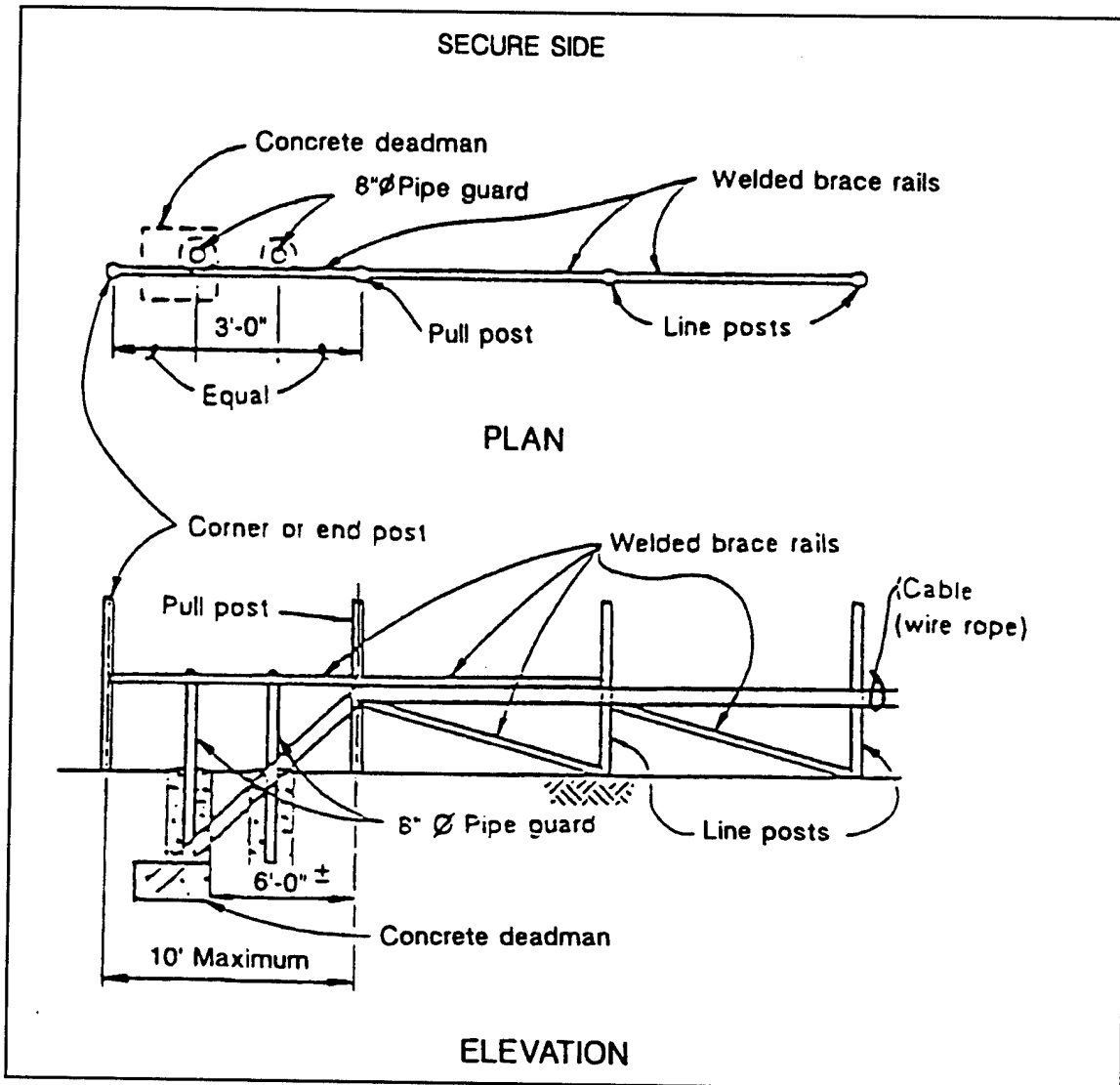


Figure 4.7 Corner or end post detail

SECTION 5 - ACTIVE VEHICLE BARRIER RATINGS

5.1 Purpose

This section provides information on the crash ratings of active vehicle barriers. It contains the latest available information on vehicle barriers with established crash ratings based either on physical testing or analytical modeling and that will stop a vehicle at or in the immediate vicinity of the barrier. The information has been collected through research of government documents. If barriers other than those cited are used, or proposed for use, refer to section 7.

5.2 Active Vehicle Barriers

Table 5.1 lists active vehicle barriers that have established ratings based on crash testing or analytic modeling and that will stop a vehicle at or in the immediate vicinity of the barrier. If active vehicle barriers are properly installed and have kinetic energy ratings equal to or greater than KE_{max} , no additional site features to reduce velocity are required. The use of active vehicle barriers with kinetic energy rating less than KE_{max} requires the user to provide positive means for velocity reduction as discussed in section 6.

Table 5.1 Results of active vehicle barrier tests

Barrier	Kinetic Energy (ft-lb x 1000)
Delta TT207S 38 in. high 108 in. long (Drum Type)	$\geq KE_{max}$
Delta TT207FM 36 in. high 144 in. long (Plate type)	$\geq KE_{max}$
Delta TT212 (Crash beam)	100

Table 5.1 Results of active vehicle barrier tests (continued)

Barrier	Kinetic Energy (ft-lb x 1000)
Delta TT280 Crash gate	$\geq KE_{max}$
Delta TT282 Crash gate	$\geq KE_{max}$
Delta SGC 1000 Swing gate	200 ⁽¹⁾
Delta TT281 38 in. high Crash blocker	$\geq KE_{max}$
Delta SC3000 Industrial cantilever gate	360 ⁽¹⁾
Nasatka MSB III 31 in. high (Plate type)	$\geq KE_{max}$
Nasatka MSB V 34 in. high (Drum type)	$\geq KE_{max}$
Nasatka MSB VII 24 in. high (Plate type)	$\geq KE_{max}$
Nasatka MSB XI 18 in. high (Plate type)	120
True Magnum (Drum type)	$\geq KE_{max}$
True Magnum Narrow Blade	$\geq KE_{max}$
True Stinger (Plate type)	$\geq KE_{max}$
True Magnum SEMA-4 Vehicle Crash Beam	75

Table 5.1 Results of active vehicle barrier tests (continued)

Barrier	Kinetic Energy (ft-lb x 1000)
Barrier Concepts Inc. VSB-F10 (Portable or fixed)	$\geq KE_{max}$
B&B Electromatic Crash Beam (R-25 Manual)	105
Embassy Crash Gate EGS-1	$\geq KE_{max}$
Overly CB7000	$\geq KE_{max}^{(1)}$

(1) Kinetic energy is based on analytical modeling.

SECTION 6 - VELOCITY REDUCTION MEASURES

6.1 Purpose

This section provides procedures to reduce vehicle impact velocity. Barriers with lesser kinetic energy ratings can be used if the impact velocity can be reduced from the maximum velocity. The maximum velocity should be used if it cannot be demonstrated that site topography will provide velocity reduction.

6.2 Determining Reduced Vehicle Velocity

The information below can be used to determine the velocity that vehicles can attain as they approach vehicle barriers. This information addresses attainable velocity on paved curves and on straight paved roads and is conservative for off-road approaches. Additional information on vehicle velocity reduction can be found in NUREG/CR 4250, *Barriers: Emphasis on Natural Features*.

6.2.1 Velocity on Curves

Figure 6.1 can be used to determine the attainable vehicle velocity on curves. This figure assumes a flat paved roadway with a coefficient of friction of 0.6. This is a representative coefficient for most dry roads and should provide conservative results across a wide range of surface conditions. Determine the velocity based on the radius of curve to the middle of the road. At velocities greater than those shown in figure 6.1 for the various radii, the vehicle will begin to skid.

6.2.2 Velocity on Straight Roads

Figure 6.2 can be used to determine the attainable velocity of vehicles on straight roads. This

figure shows vehicle velocity from a dead start on a dry road and includes data for flat roads and three different uphill grades. Figure 6.2 should provide conservative results for other road surface conditions. Do not use figure 6.2 for downhill grades. Where possible, avoid downhill grades toward the vehicle barrier system. Using the data appropriate for the grade of the road, determine the velocity based on the distance between the point at which the vehicle starts from a dead stop and the vehicle barrier. If the vehicle has an initial velocity before it begins its run at the barrier, refer to figure 6.2 at the initial velocity and read the distance corresponding to that velocity. Move to the right from that corresponding distance by the distance to the barrier and read the velocity associated with that new distance.

6.2.3 Traffic Obstacles

Traffic obstacles such as those shown in figure 6.3 can be used to slow vehicles approaching a vehicle barrier on existing roads without curves or on roads with curves of insufficient radius to slow traffic. Traffic obstacles include oil drums, planters, Jersey barriers, and various concrete or steel objects. These obstacles will not stop a vehicle on impact, but they will slow it down or cause the driver to drive around them, which will also slow the vehicle. Use the obstacles to create "S" curves in the road as illustrated in figure 6.4. Use figure 6.5 to determine the required spacing in a straight section of two-lane road using barriers or groups of barriers with an effective width of 10 feet. Use wider barriers for lane widths greater than 12 feet. Figure 6.5 can conservatively be used for establishing obstacles in off-road approaches as well.

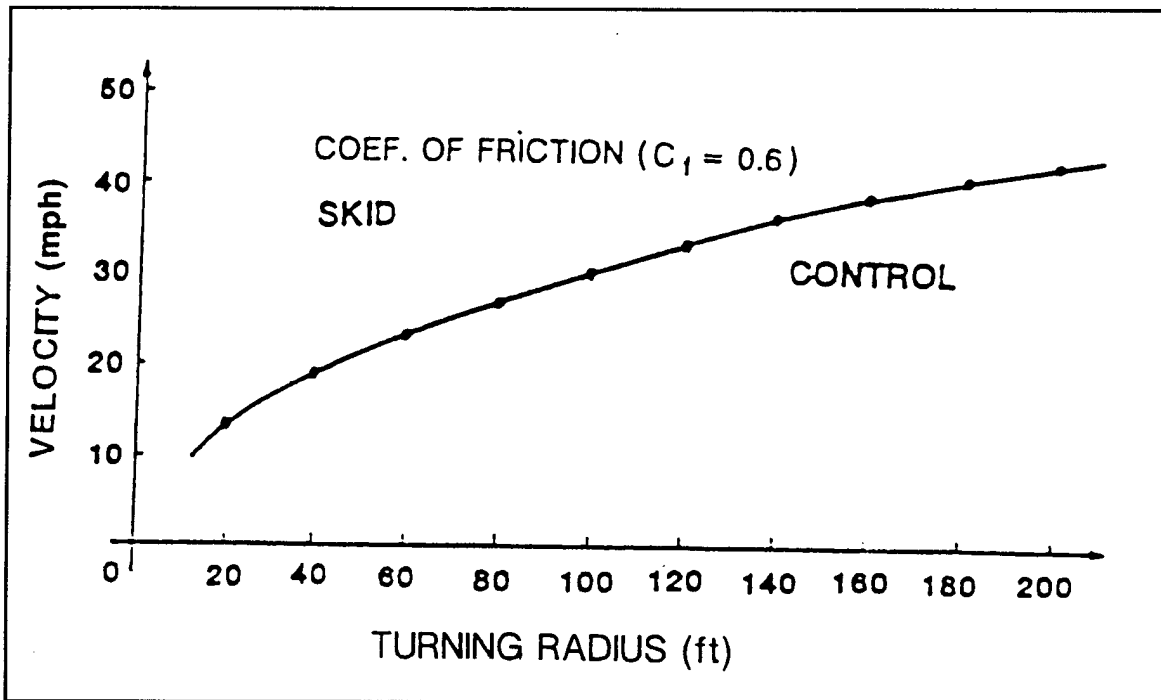


Figure 6.1 Vehicle velocity on curves

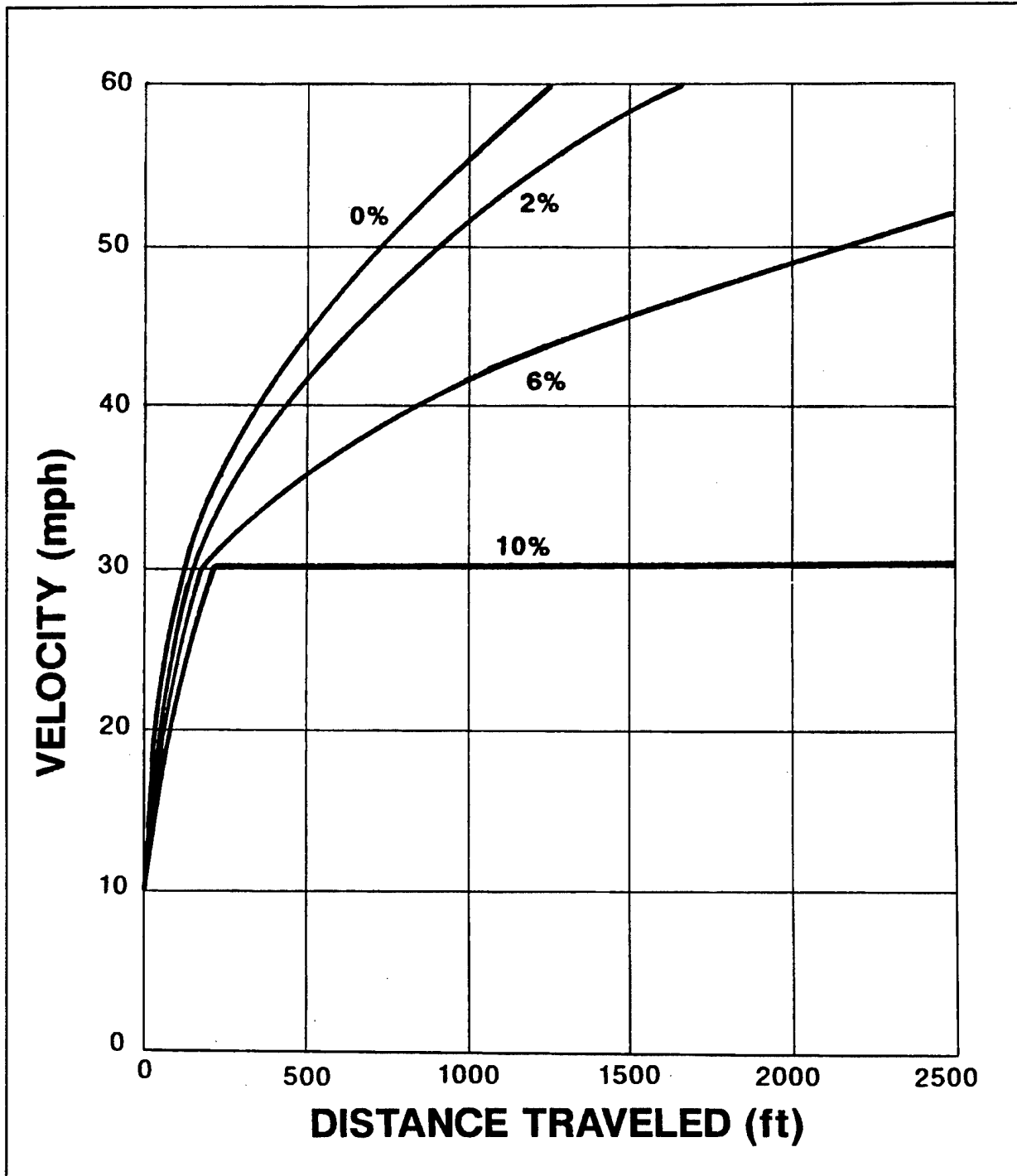


Figure 6.2 Vehicle velocity from dead start

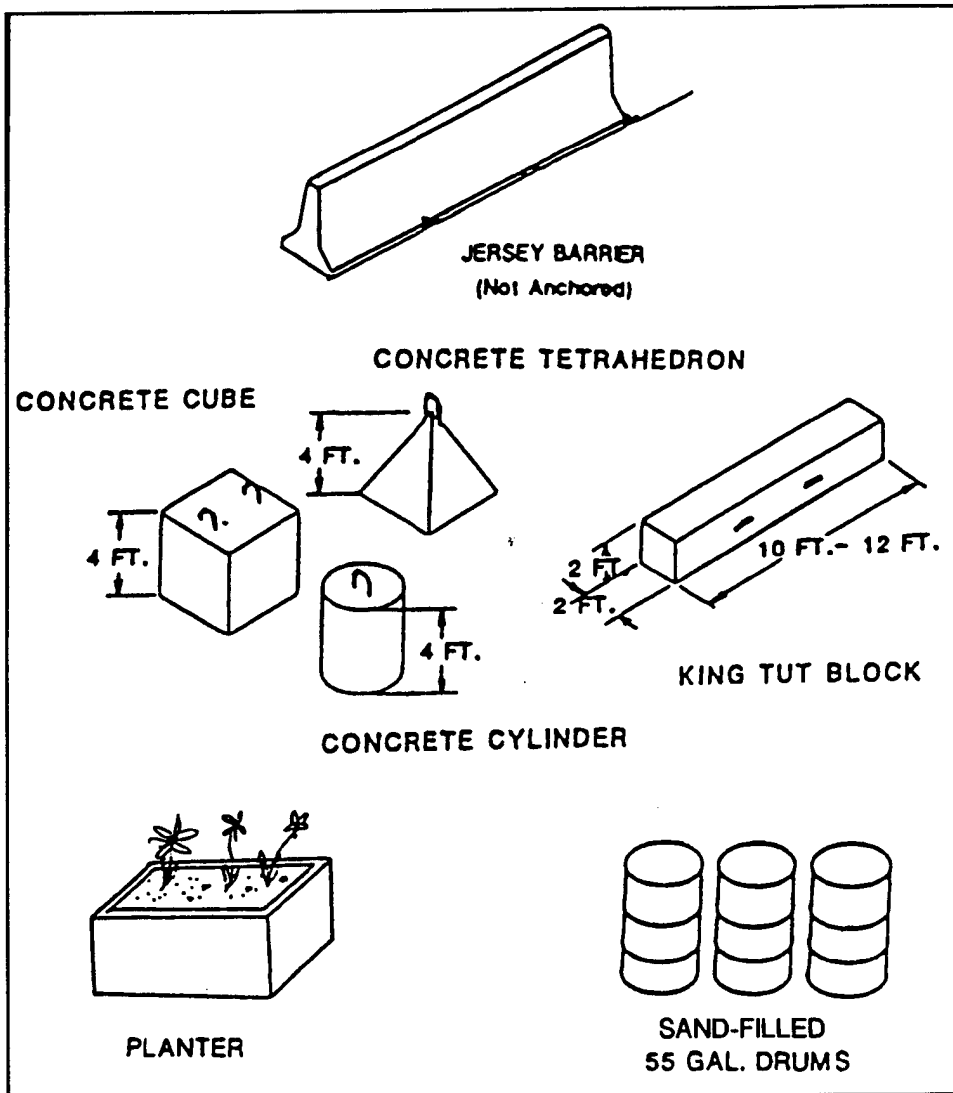


Figure 6.3 Barriers used as traffic obstacles

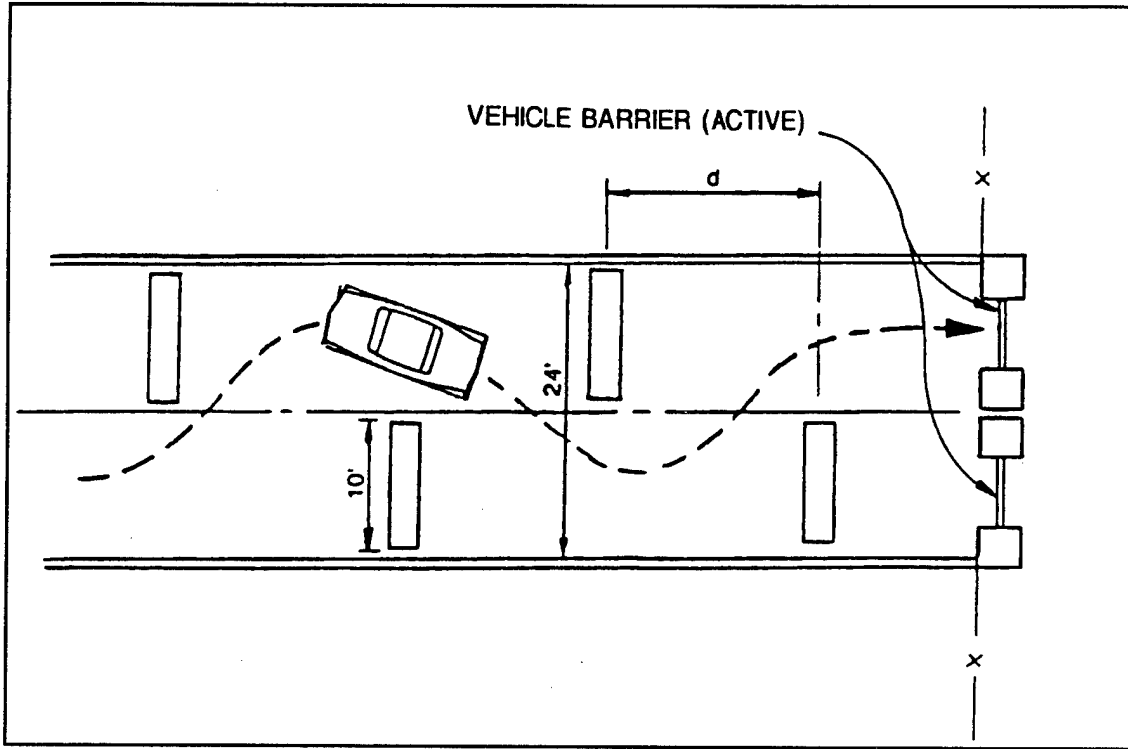


Figure 6.4 Application of traffic obstacles

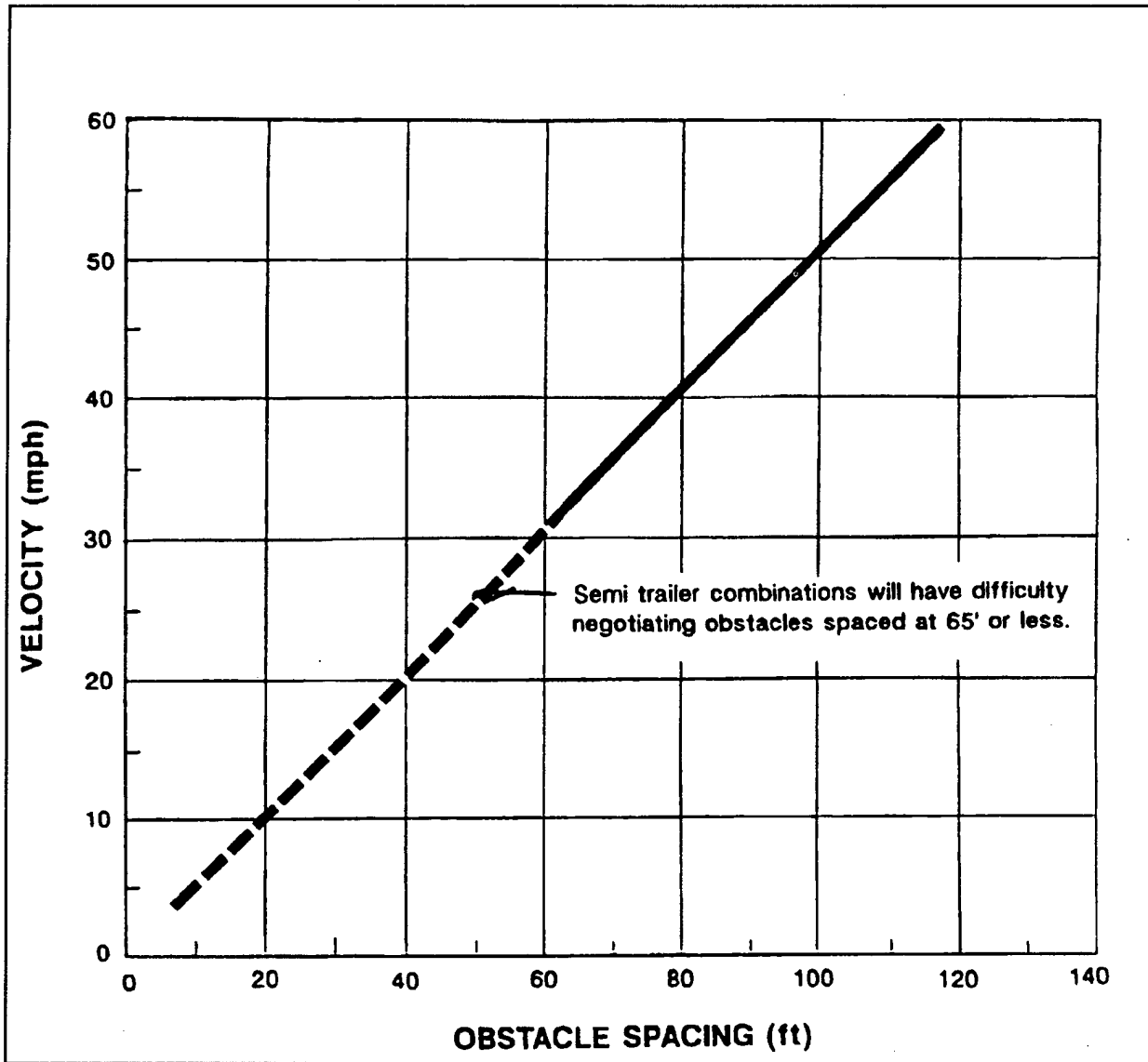


Figure 6.5 Obstacle spacing vs. vehicle velocity

6.2.4 Examples

6.2.4.1 Curves

There is a maximum velocity at which a vehicle can negotiate a curve. Using the graph in figure 6.6, the traction coefficient, the initial velocity, and the measurements for the radius of curvature, the maximum velocity for each curve can be determined. For example, figure 6.6 shows that if the radius of the curve is 160 feet, the maximum velocity at which the curve can be negotiated is 38.5 mph. Since we have assumed no acceleration on curves, the resultant velocity is the velocity at which the vehicle can negotiate the curve.

6.2.4.2 Straight Paths From a Dead Start

To find the velocity of a vehicle at the end of a straight path starting at a dead start, follow the example presented in figure 6.7. In this example, the road will be straight, level (0 percent gradient), and the distance that the vehicle travels will be 500 feet. The following steps demonstrate the procedure to use.

(a) Find 500 feet on the horizontal axis and label this point S .

(b) Draw a vertical line up from point S until it intersects the 0 percent gradient curve.

(c) Draw a horizontal line from the intersection point to the vertical axis.

(d) Read the maximum velocity, V_S , from the vertical axis, 45 mph.

6.2.4.3 Straight Paths With an Initial Velocity

To find the velocity at the end of a straight path when the vehicle has an initial velocity, follow the example presented in figure 6.8. In this example, the roadway will be level (0 percent gradient), the initial velocity will be 40 mph,

and the distance traveled, S , will be 700 feet. The following steps explain the procedure to be used.

(a) Label the initial velocity $V_T = 40$ mph on the vertical axis of the graph.

(b) Draw a horizontal line from $V_T = 40$ to the point where that line intersects the 0 percent gradient curve.

(c) Draw a vertical line down from this intersection point to the horizontal axis.

(d) Read the acceleration distance at this point from the horizontal axis, 380 feet.

(e) Label the point $T = 380$ feet.

(f) Add the distance, S , (in feet) to the value of T :

$$S + T = 700 + 380 = 1,080 \text{ feet}$$

(g) Find the distance $S + T$ (1,080 feet) on the horizontal axis and label this point Z .

(h) Draw a vertical line up from point Z to the 0 percent gradient curve.

(i) Draw a horizontal line from the point of intersection to the velocity axis.

(j) Read the velocity, V_Z , from the vertical axis, 56 mph.

6.2.4.4 Traffic Obstacles

The use of traffic obstacles is very effective in slowing vehicles on existing roads of insufficient radius. The placed obstacles include any mass that will slow down a vehicle or cause a driver to drive around them. Figure 6.9 presents an example based on a desired vehicle velocity to determine traffic obstacle spacing. From the

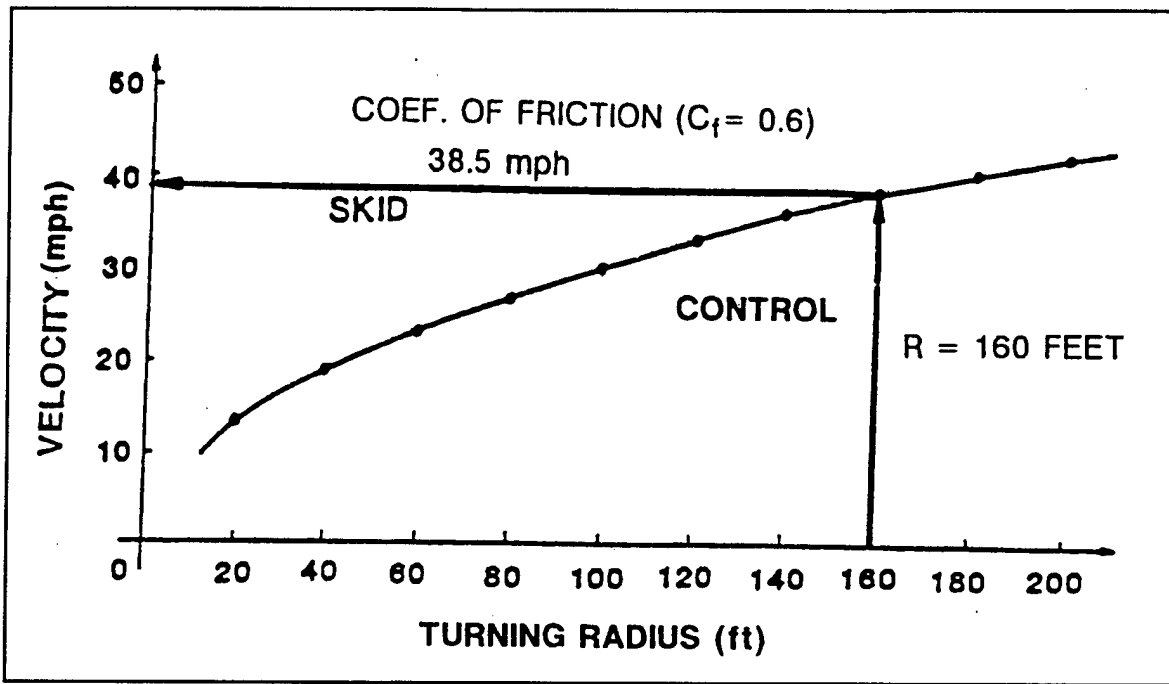


Figure 6.6 Example - Vehicle velocity on curves

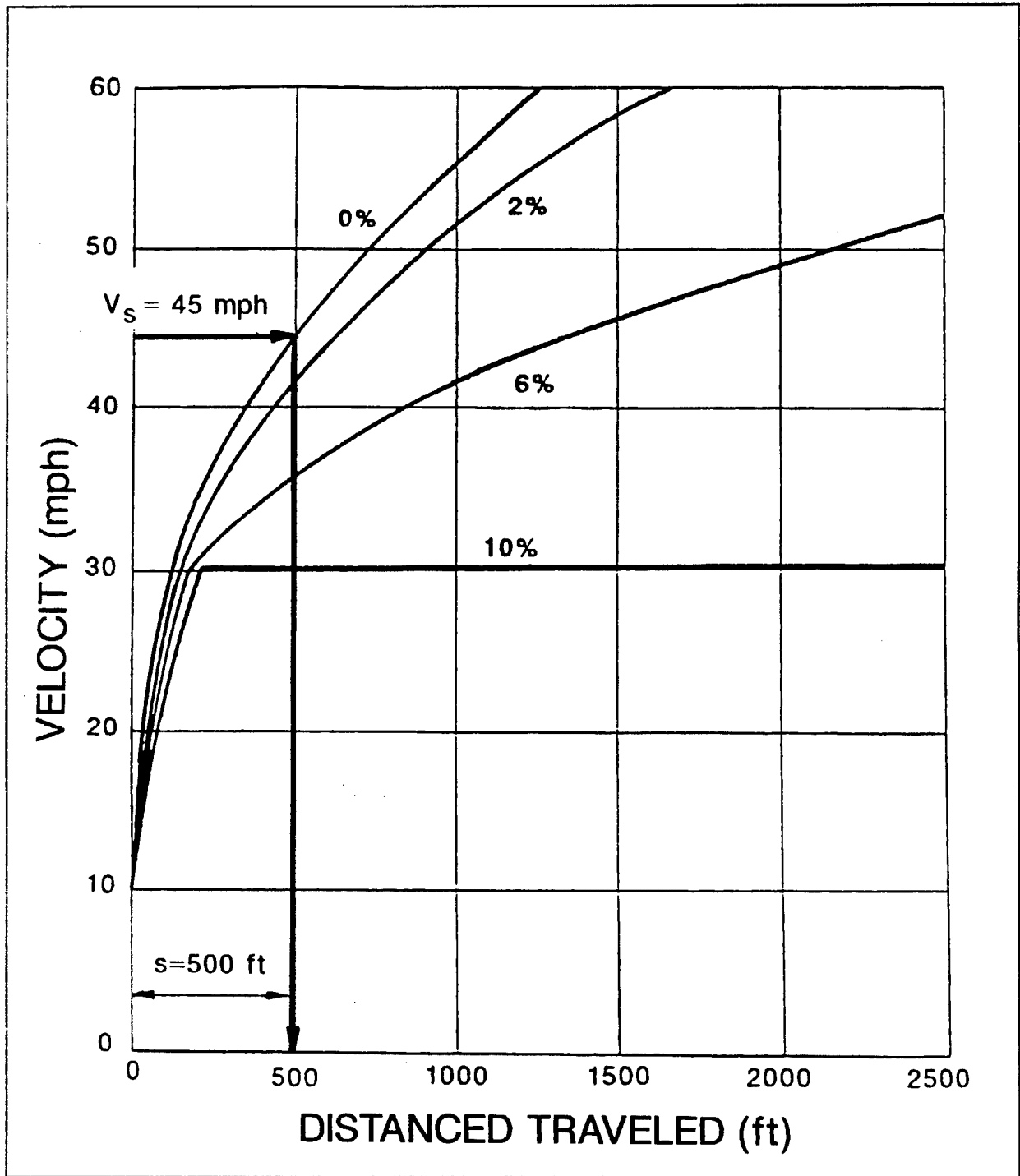


Figure 6.7 Example - Vehicle velocity from dead start

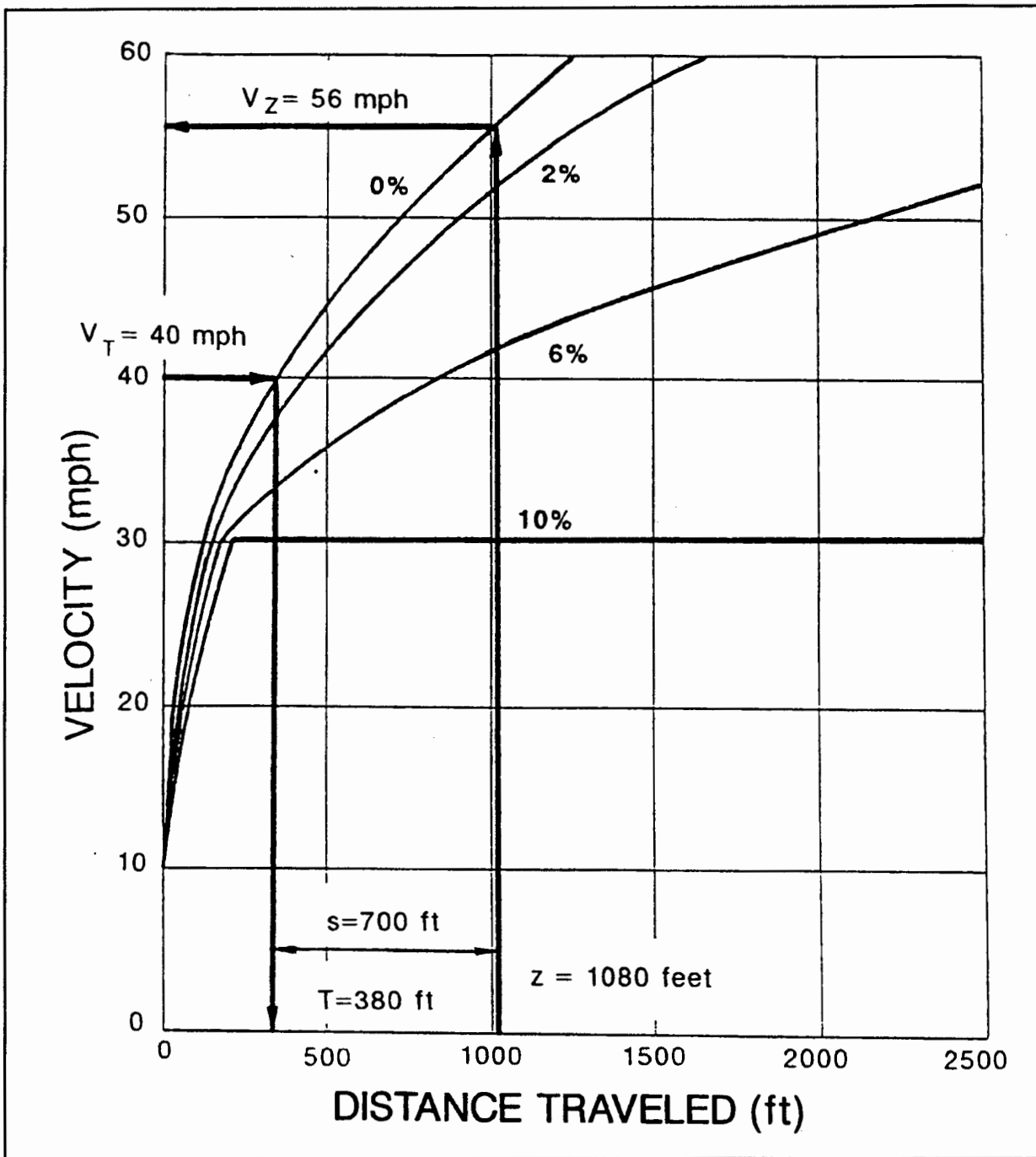


Figure 6.8 Example - Vehicle velocity with initial velocity

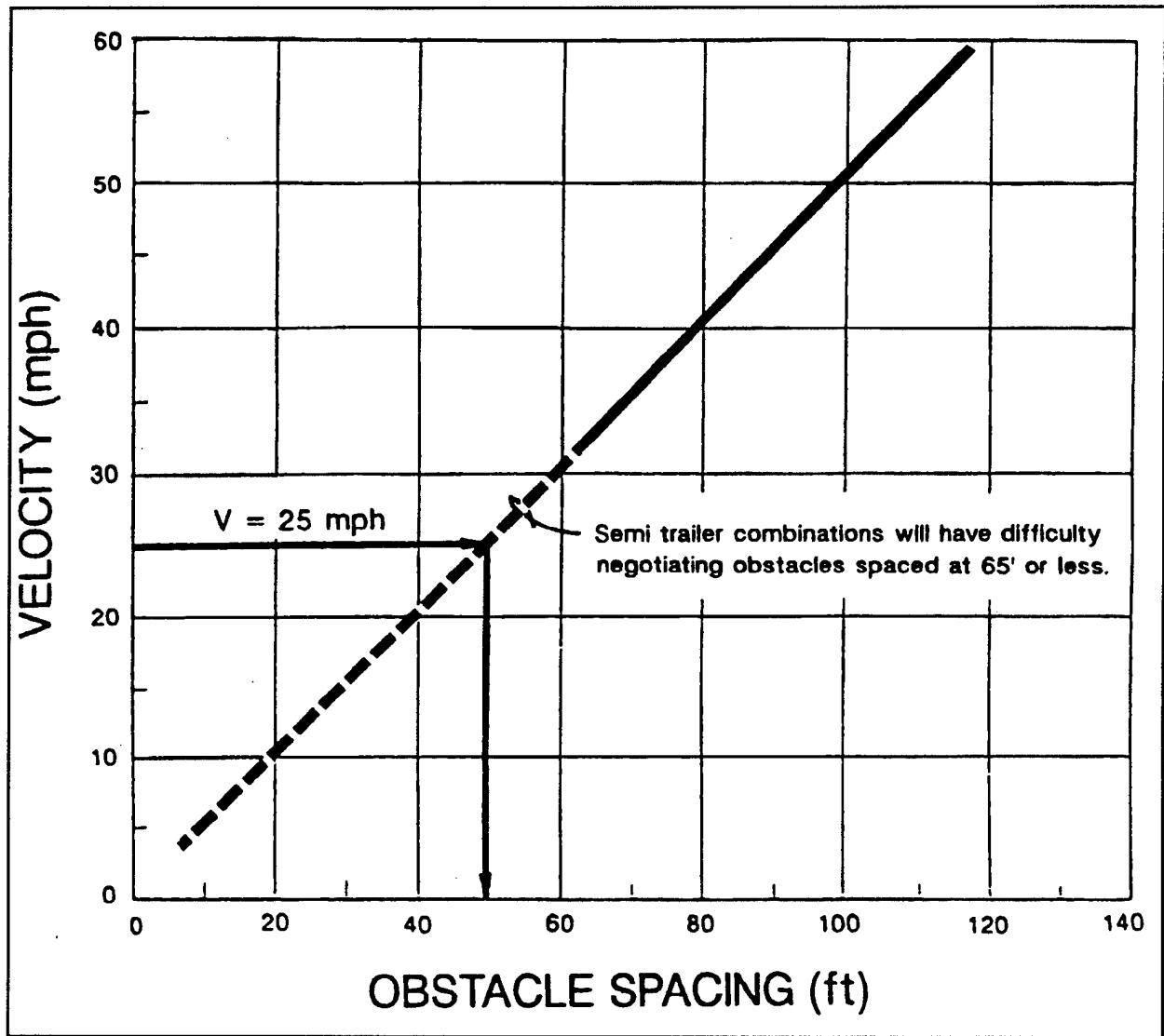


Figure 6.9 Example - Obstacle spacing vs. vehicle velocity

graph, a vehicle velocity of 25 mph is chosen and a parallel line to the horizontal axis is drawn to the point where that line intersects the diagonal line. At this point, draw a vertical line down from this intersection point to the horizontal axis. For this example, the obstacle spacing required equals 49 feet as read on the horizontal axis.

6.3 Determining Kinetic Energy

The design kinetic energy is calculated by using equation 2-1 with the design basis velocity and the combined gross vehicle weight listed in Regulatory Guide 5.68.

6.4 Barrier Selection

After calculating the kinetic energy, the tables in sections 4 and 5 can be used to select a barrier. Enter the appropriate table and select a barrier that has an equal or higher rating than the kinetic energy calculated as indicated in paragraph 6.3.

SECTION 7 - OTHER VEHICLE BARRIERS

If other vehicle barriers are used, their crash ratings must be established. This can be accomplished by a qualified testing organization performing full-scale crash testing by approved procedure or by a dynamic nonlinear analysis performed by qualified personnel.

SECTION 8 - DOCUMENTATION

Documentation guidelines are contained in
Regulatory Guide 5.68.

SECTION 9 - CONCLUSIONS

This manual provides a simplified procedure that may be used to select both passive and active vehicle barriers to prevent intrusion by the design basis vehicle threat adopted by the U.S. Nuclear Regulatory Commission.

BIBLIOGRAPHIC DATA SHEET

(See instructions on the reverse)

1. REPORT NUMBER
(Assigned by NRC. Add Vol., Supp., Rev.,
and Addendum Numbers, if any.)

NUREG/CR-6190
Vol. 2, Rev. 1

2. TITLE AND SUBTITLE

Protection Against Malevolent Use of Vehicles at
Nuclear Power Plants

Vehicle Barrier System Selection Guidance

3. DATE REPORT PUBLISHED

MONTH YEAR

December 1994

4. FIN OR GRANT NUMBER

A0400

5. AUTHOR(S)

D. T. Nebuda

6. TYPE OF REPORT

7. PERIOD COVERED (Inclusive Dates)

8. PERFORMING ORGANIZATION - NAME AND ADDRESS (If NRC, provide Division, Office or Region, U.S. Nuclear Regulatory Commission, and mailing address; if contractor, provide name and mailing address.)

U.S. Army Corps of Engineers, Omaha District
Protective Design-Mandatory Center of Expertise
215 North 17th Street
Omaha, NE 68102-4978

9. SPONSORING ORGANIZATION - NAME AND ADDRESS (If NRC, type "Same as above"; if contractor, provide NRC Division, Office or Region, U.S. Nuclear Regulatory Commission, and mailing address.)

Division of Technical Support
Office of Nuclear Reactor Regulation
U. S. Nuclear Regulatory Commission
Washington, D.C. 20555-0001

10. SUPPLEMENTARY NOTES

11. ABSTRACT (200 words or less)

This manual provides a simplified procedure for selecting land vehicle barriers that will stop the design basis vehicle threat adopted by the U. S. Nuclear Regulatory Commission. Proper selection and construction of vehicle barriers should prevent intrusion of the design basis vehicle. In addition, vital safety related equipment should survive a design basis vehicle bomb attack when vehicle barriers are properly selected, sited, and constructed. This manual addresses passive vehicle barriers, active vehicle barriers, and site design features that can be used to reduce vehicle impact velocity.

12. KEY WORDS/DESCRIPTORS (List words or phrases that will assist researchers in locating the report.)

Vehicle, bomb, distance, bomb blast, vehicle barriers, malevolent, barrier, blast, safe distance, barrier systems, vital barriers, explosives, land vehicle

13. AVAILABILITY STATEMENT

Unlimited

14. SECURITY CLASSIFICATION

(This Page)

Unclassified

(This Report)

Unclassified

15. NUMBER OF PAGES

16. PRICE



Federal Recycling Program

NTIS does not permit return of items for credit or refund. A replacement will be provided if an error is made in filling your order, if the item was received in damaged condition, or if the item is defective.

Reproduced by NTIS

National Technical Information Service
Springfield, VA 22161

*This report was printed specifically for your order
from nearly 3 million titles available in our collection.*

For economy and efficiency, NTIS does not maintain stock of its vast collection of technical reports. Rather, most documents are printed for each order. Documents that are not in electronic format are reproduced from master archival copies and are the best possible reproductions available. If you have any questions concerning this document or any order you have placed with NTIS, please call our Customer Service Department at (703) 487-4660.

About NTIS

NTIS collects scientific, technical, engineering, and business related information — then organizes, maintains, and disseminates that information in a variety of formats — from microfiche to online services. The NTIS collection of nearly 3 million titles includes reports describing research conducted or sponsored by federal agencies and their contractors; statistical and business information; U.S. military publications; audiovisual products; computer software and electronic databases developed by federal agencies; training tools; and technical reports prepared by research organizations worldwide. Approximately 100,000 *new* titles are added and indexed into the NTIS collection annually.

For more information about NTIS products and services, call NTIS at (703) 487-4650 and request the free *NTIS Catalog of Products and Services*, PR-827LPG, or visit the NTIS Web site
<http://www.ntis.gov>.

NTIS

***Your indispensable resource for government-sponsored
information—U.S. and worldwide***